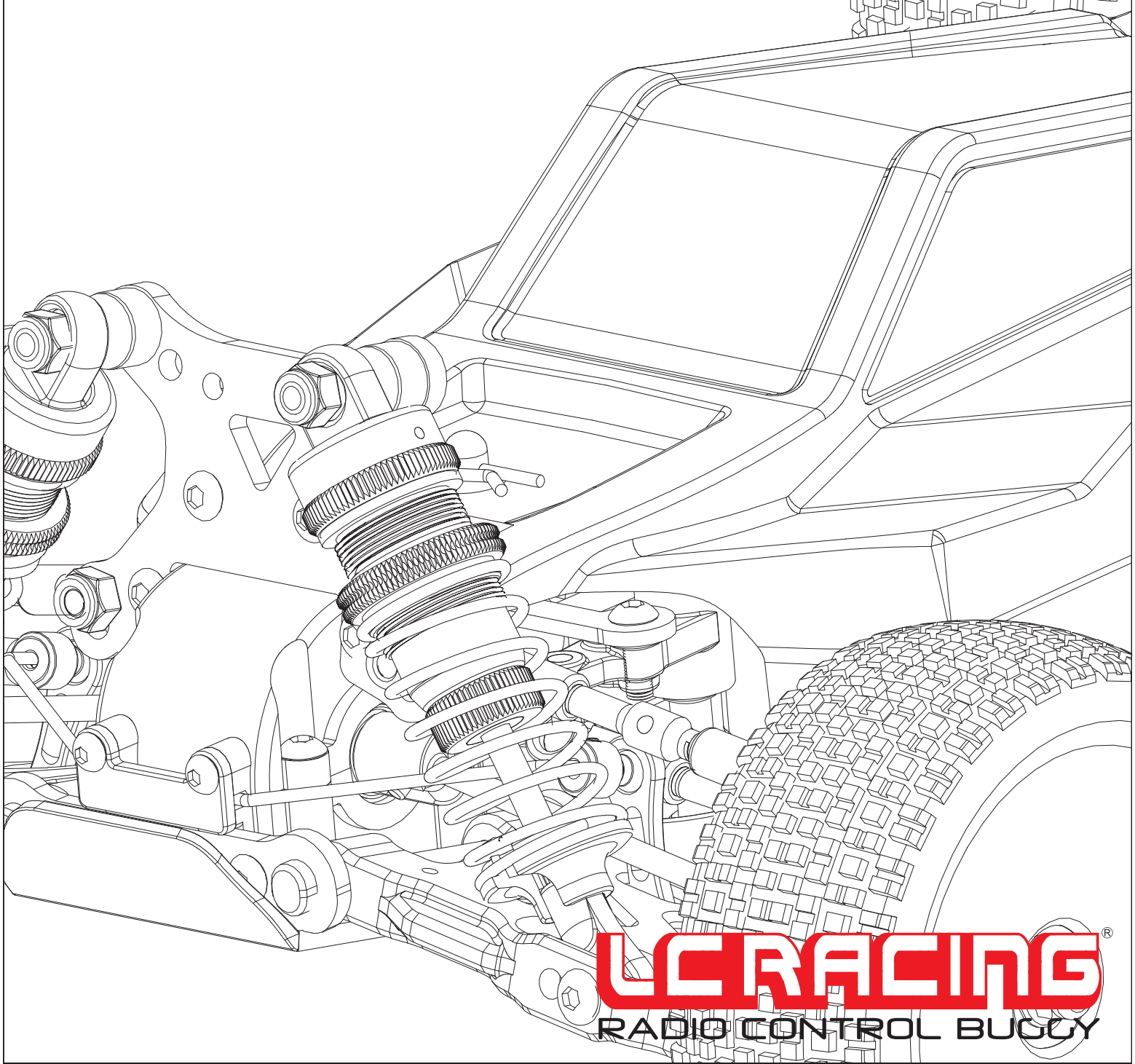


LC12B1

4WD ELECTRIC RACING BUGGY



LCRACING[®]
RADIO CONTROL BUGGY

SYMBOLS USED



Apply oil



Apply grease



Apply threadlock



Apply CA glue



Assemble as many times as specified



Option parts

TOOLS REQUIRED

2.0mm 

1.5mm 

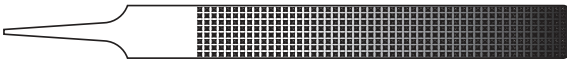
Allen wrench
六角レンチ

5.5mm Nut Driver 

5.5mm ナットドライバー

Screwdriver PHOD 20mm 

ドライバーPHOD2.0mm

Tweezers 

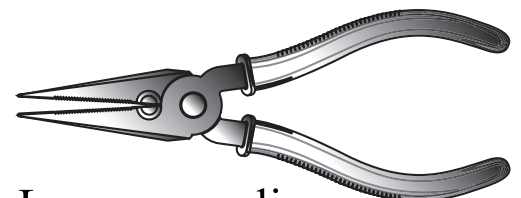
ピンセット

Modelling knife 

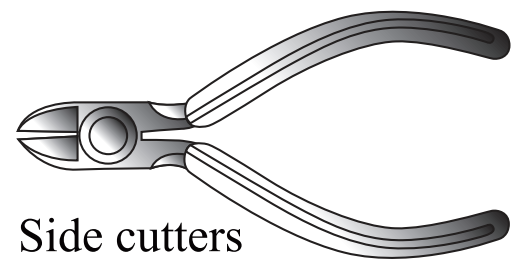
モデリングナイフ



Scissors
はさみ



Long nose pliers
ラジオペンチ



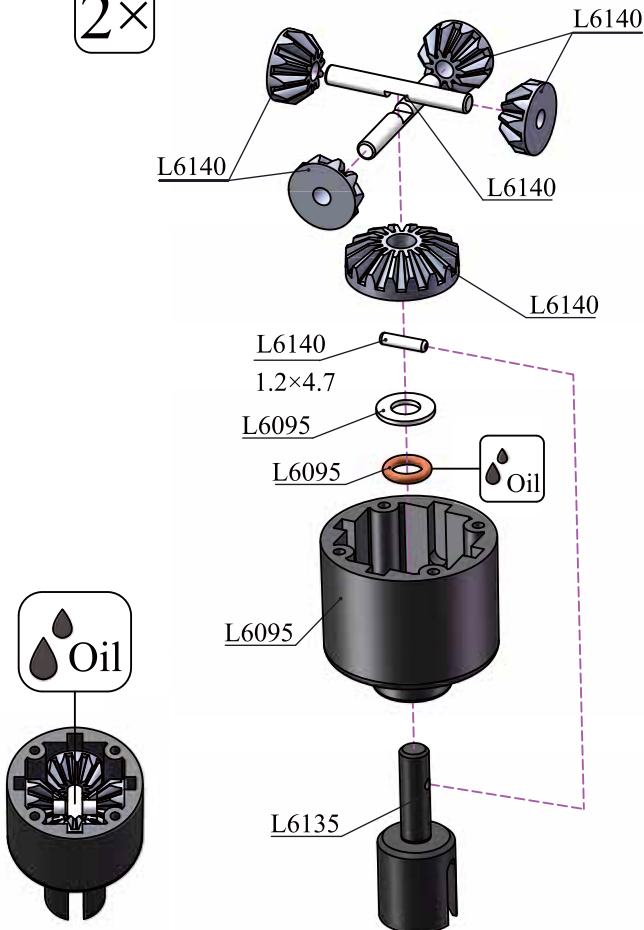
Side cutters
サイドカッター



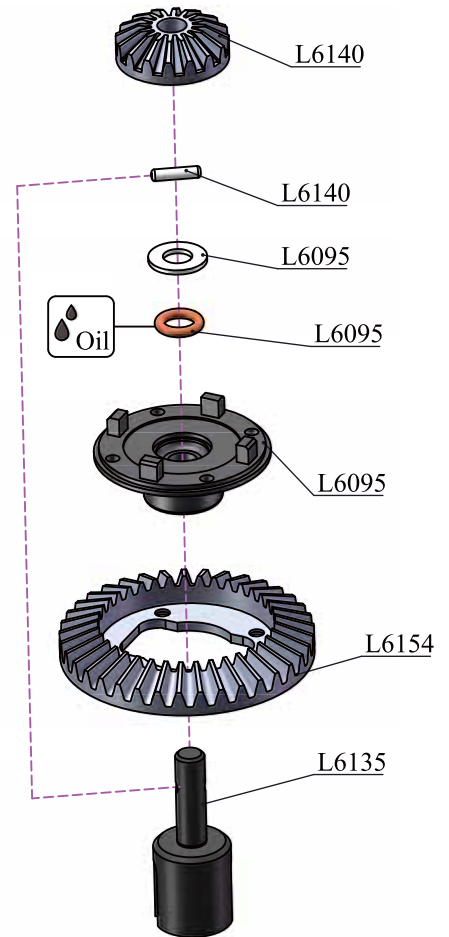
Reamer
リーマー

Bag A 1. GEAR DIFFERENTIAL

2×



2×



L6125
8×12×3.5mm



L6095
3×5×0.5mm



L6140
Ø1.2×4.7mm



L6095
KM1.4×10mm

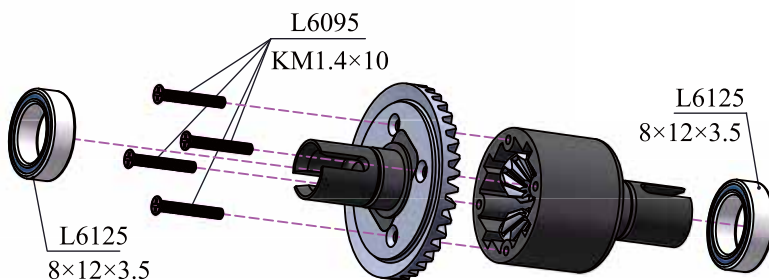


L6140
Ø2×10.8mm

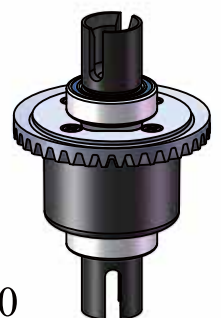


L6095
O 3×0.5mm

2×



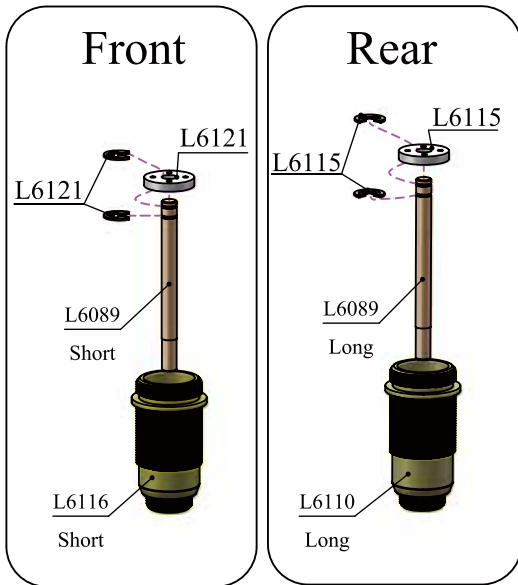
2×



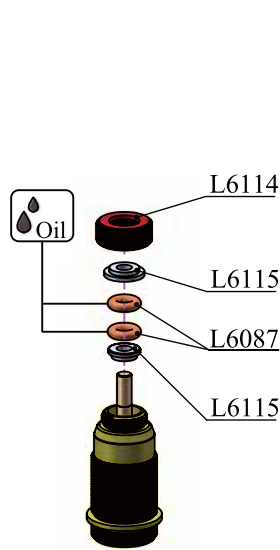
L6140

Bag B 1. SHOCK ABSORBERS

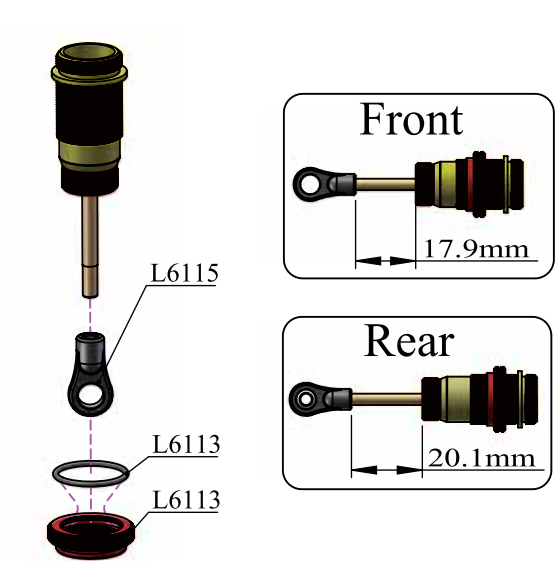
2×



4×



4×



L6121



L6115/L6121
SØ 5.8

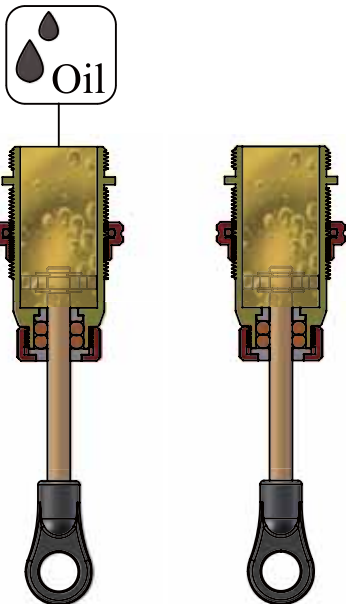


L6113
O 13×1.0



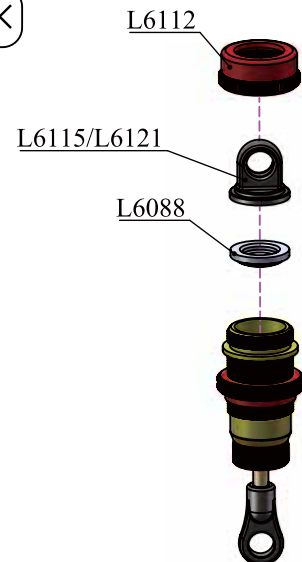
L6087
O 2.8×1.9

4×



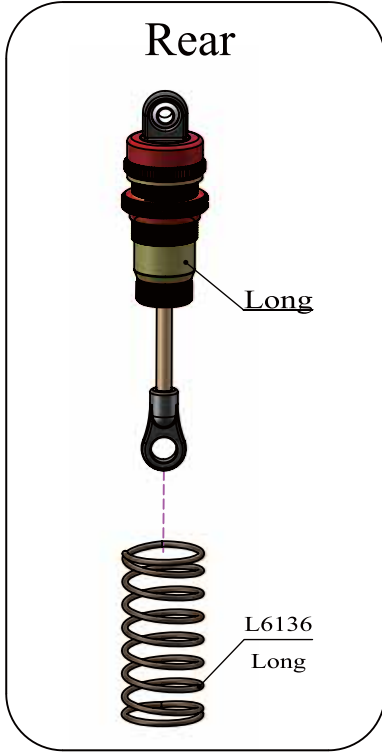
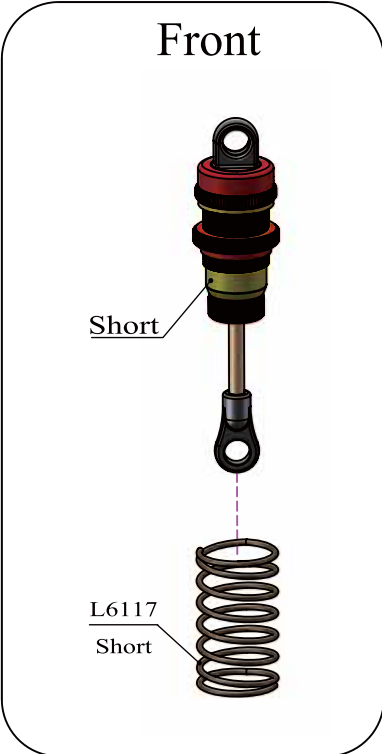
↑ Move the shock shaft up and down slowly a few times to release bubble air ↓

4×



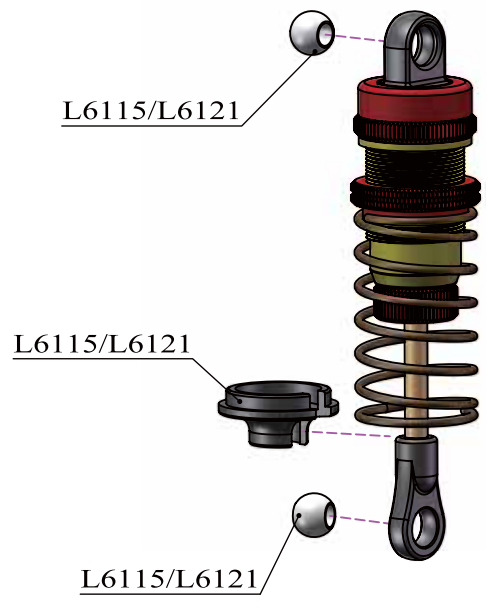
Bag B 2. SHOCK ABSORBERS

2x

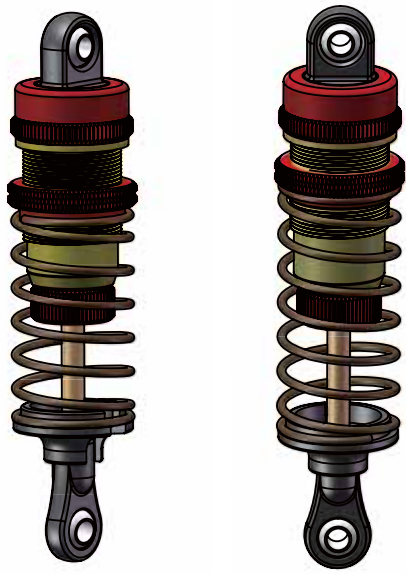


Front Springs	
L6117	∅ 1.1
L6137	∅ 1.2
L6139	∅ 1.3
Rear Springs	
L6111	∅ 1.0
L6136	∅ 1.1
L6138	∅ 1.2
L6197	∅ 1.3

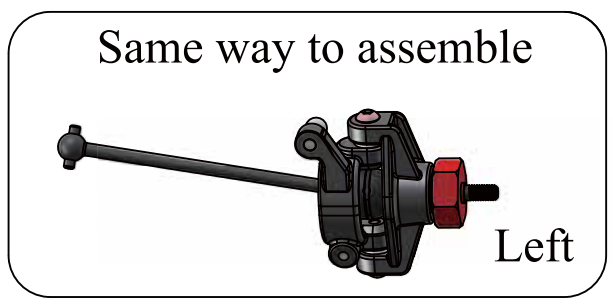
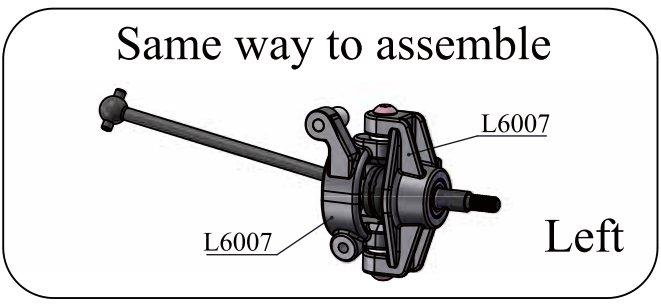
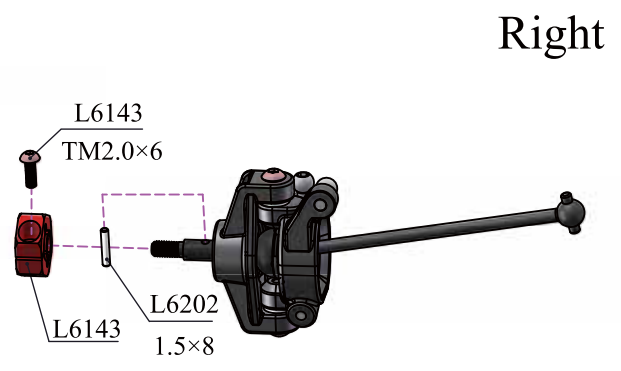
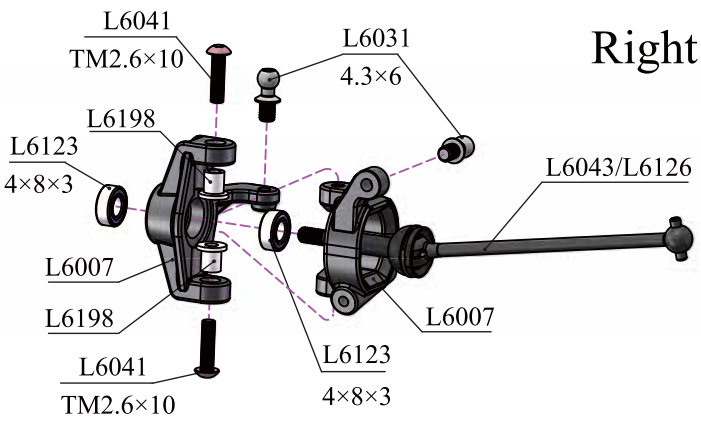
4x



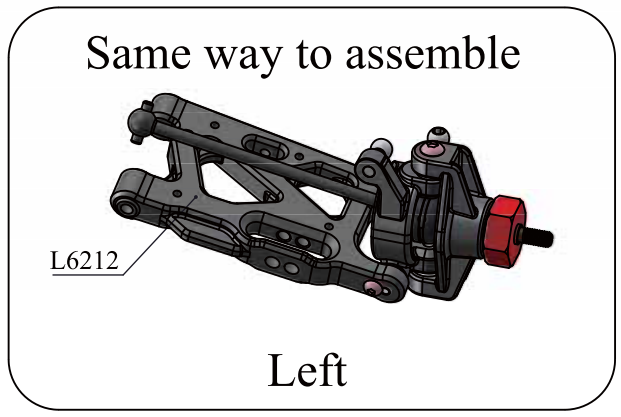
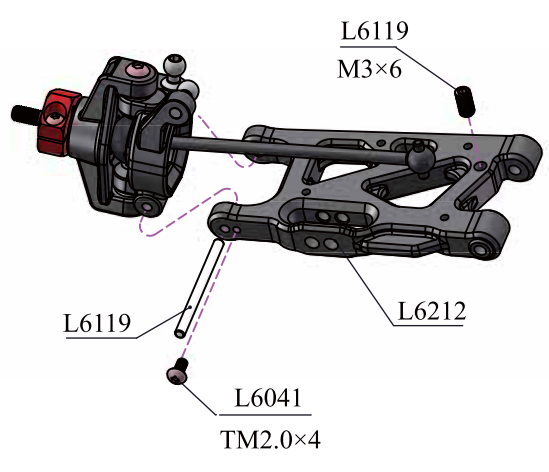
Two front shocks over all length must be same
Two rear shocks over all length must be same



Bag C 1. FRONT SUSPENSION ASSEMBLY



- | | | | | | | |
|---------------------|-----------------|---------------------|------------------|--------------------|---------------------|-------------------|
| | | | | | | |
| L6031
SØ 4.3×6mm | L6119
M3×6mm | L6041
TM2.6×10mm | L6123
4×8×3mm | L6041
TM2.0×6mm | L6031
SØ 4.3×6mm | L6202
Ø1.5×8mm |



Bag C 4. FRONT SUSPENSION ASSEMBLY



L6041/L6097
M3



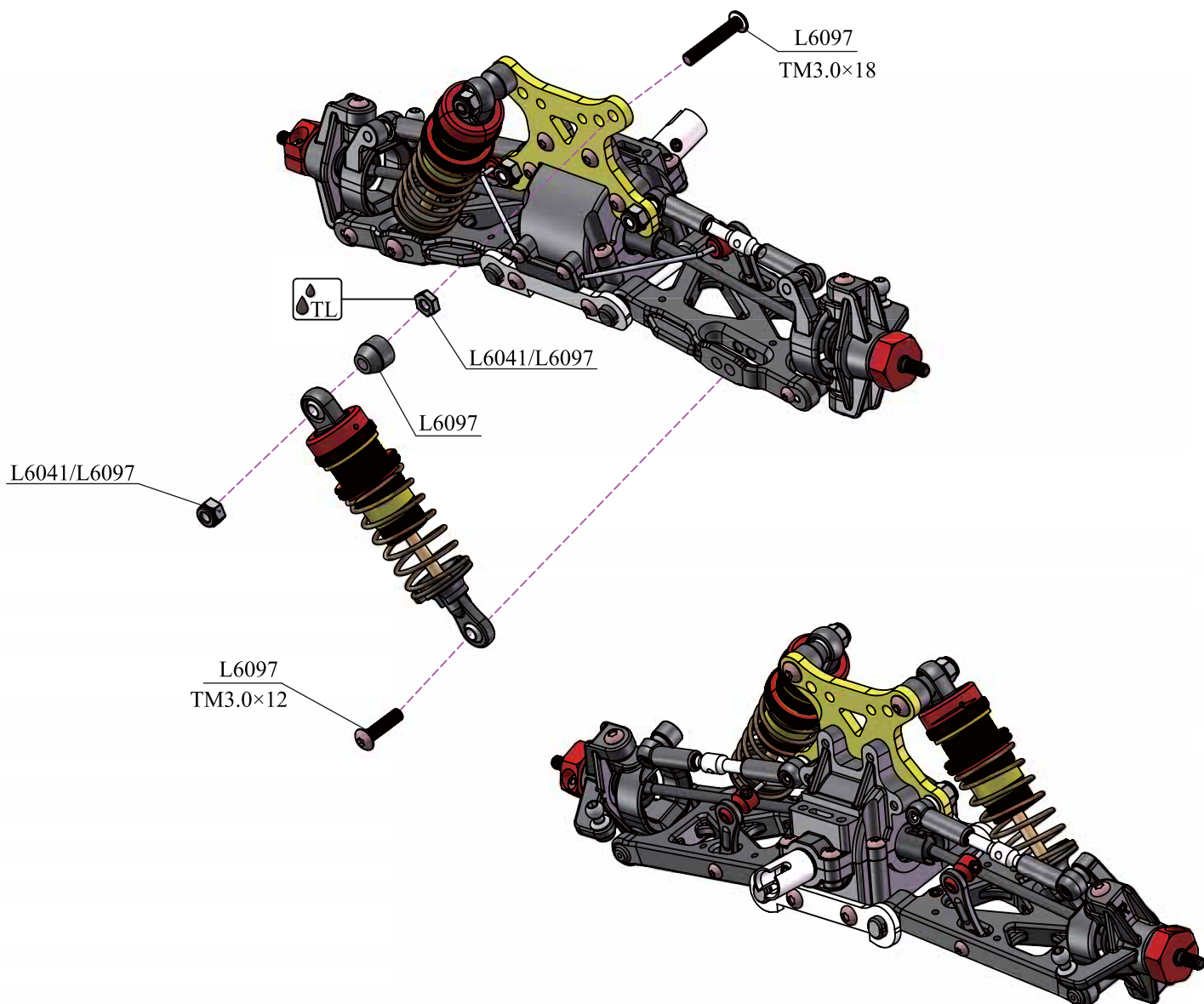
L6041/L6097
TM3.0×12mm



L6041/L6097
TM3.0×18mm

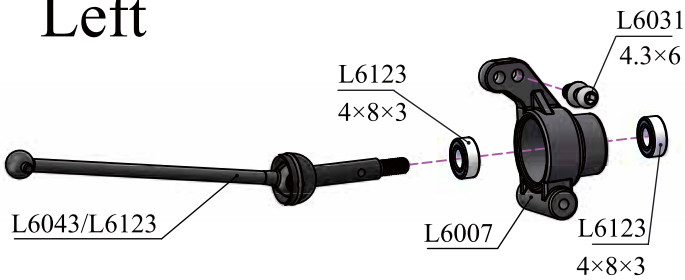


L6041/L6097
M3

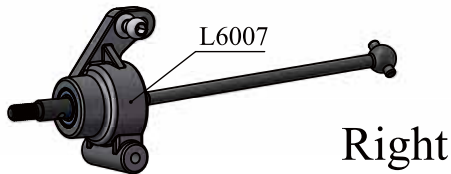


Bag D 1. REAR SUSPENSION ASSEMBLY

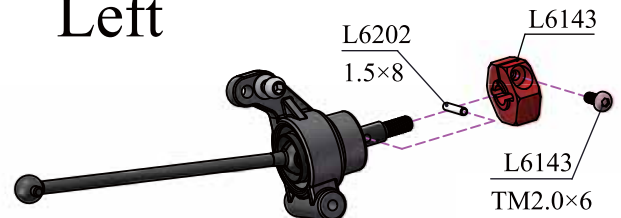
Left



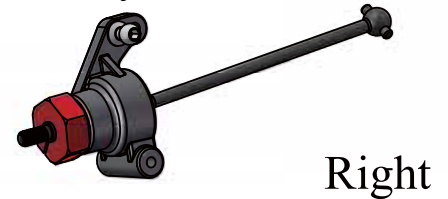
Same way to assemble



Left



Same way to assemble



L6031
SØ4.3×6mm



L6119
M3×10mm



L6123
4×8×3mm



L6041
TM2.0×4mm

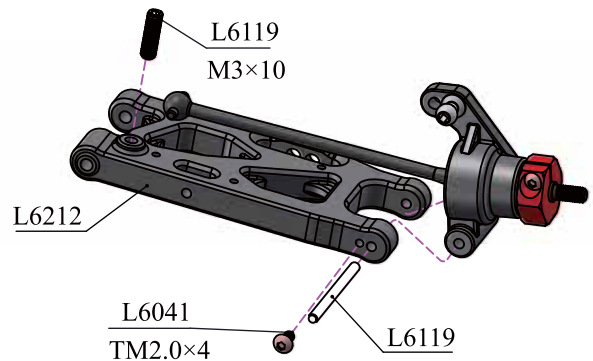
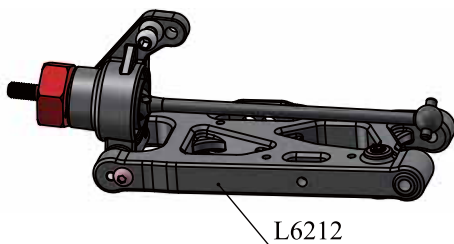


L6143
TM2.0×6mm



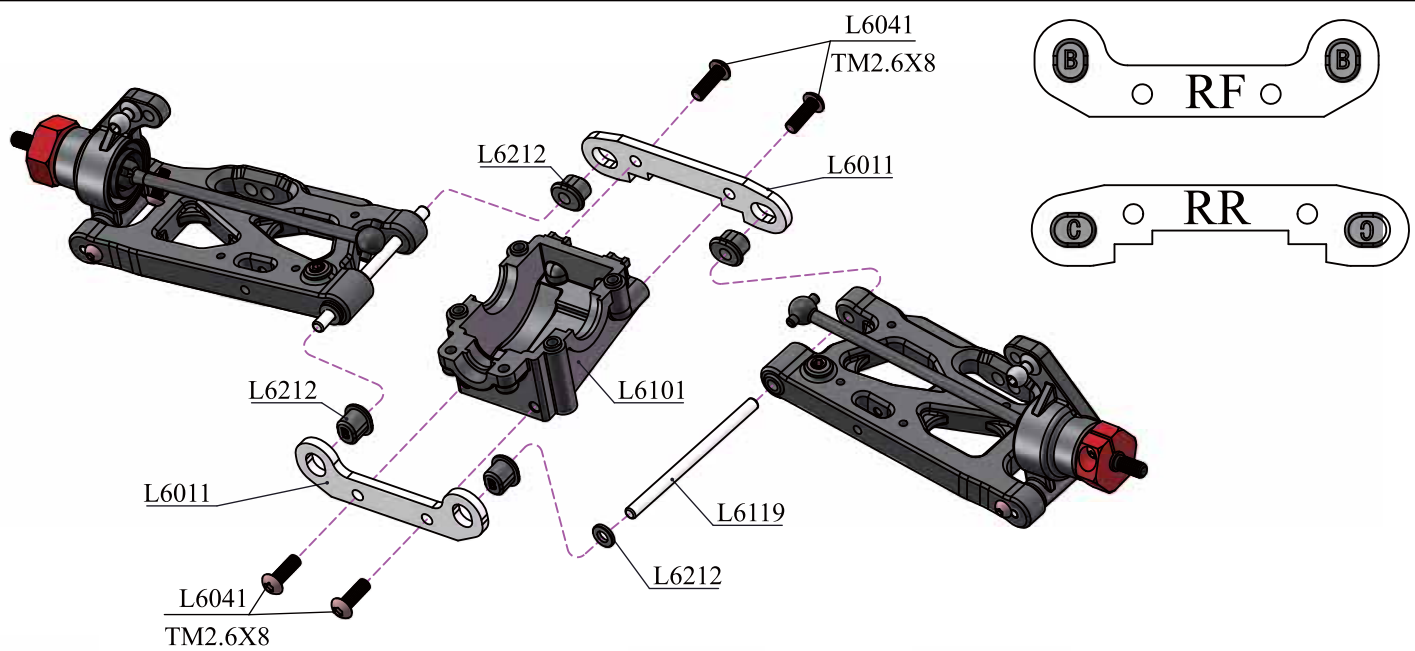
L6202
Ø1.5×8mm

Same way to assemble

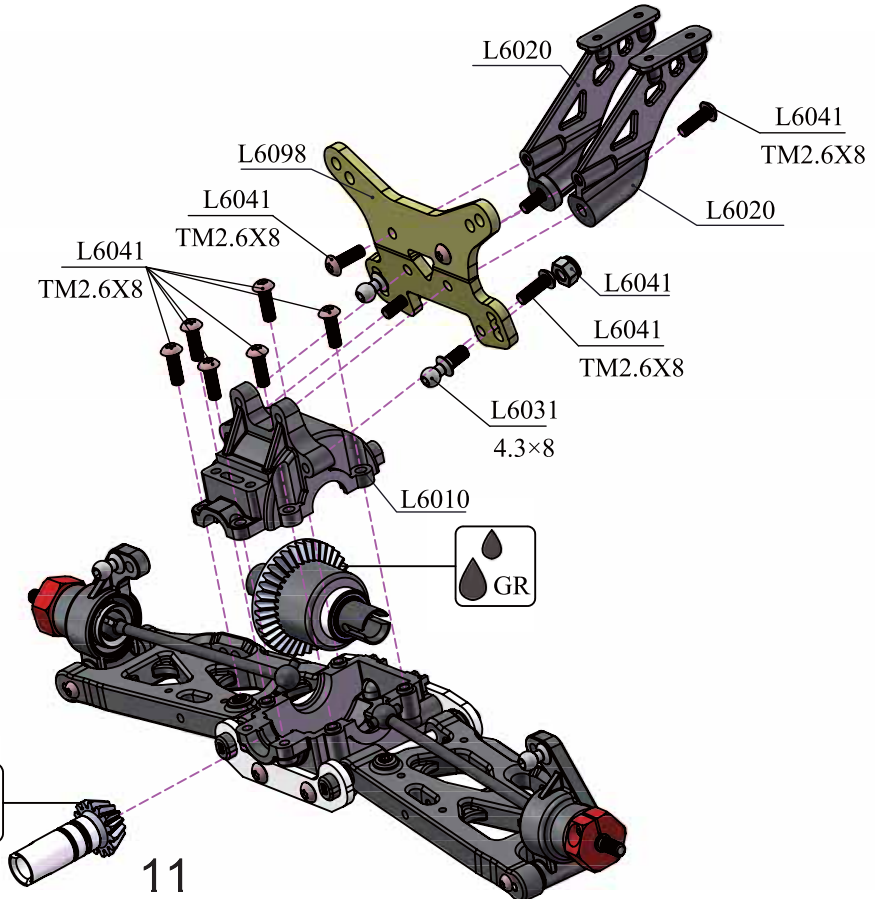
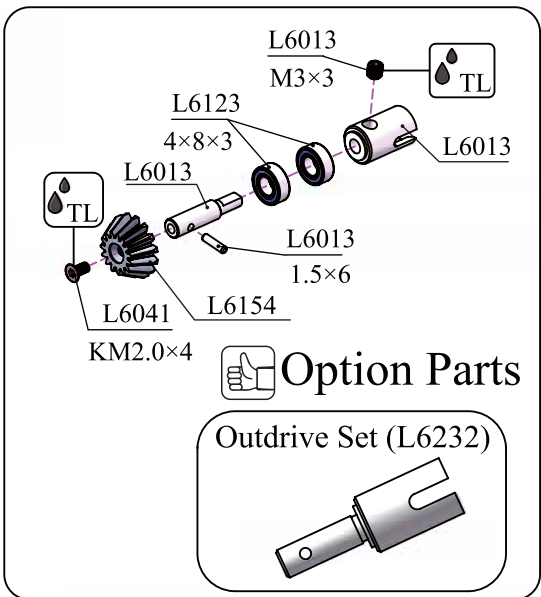


Left

Bag D 2. REAR SUSPENSION ASSEMBLY



L6123 4×8×3mm	L6041 KM2.0×4mm	L6041 M3	L6041 TM2.6X8mm	L6031 SØ4.3×8mm	L6013 Ø1.5×6mm	L6013 M3×3



Bag D 4. REAR SUSPENSION ASSEMBLY



L6041/L6098
TM3.0×12mm



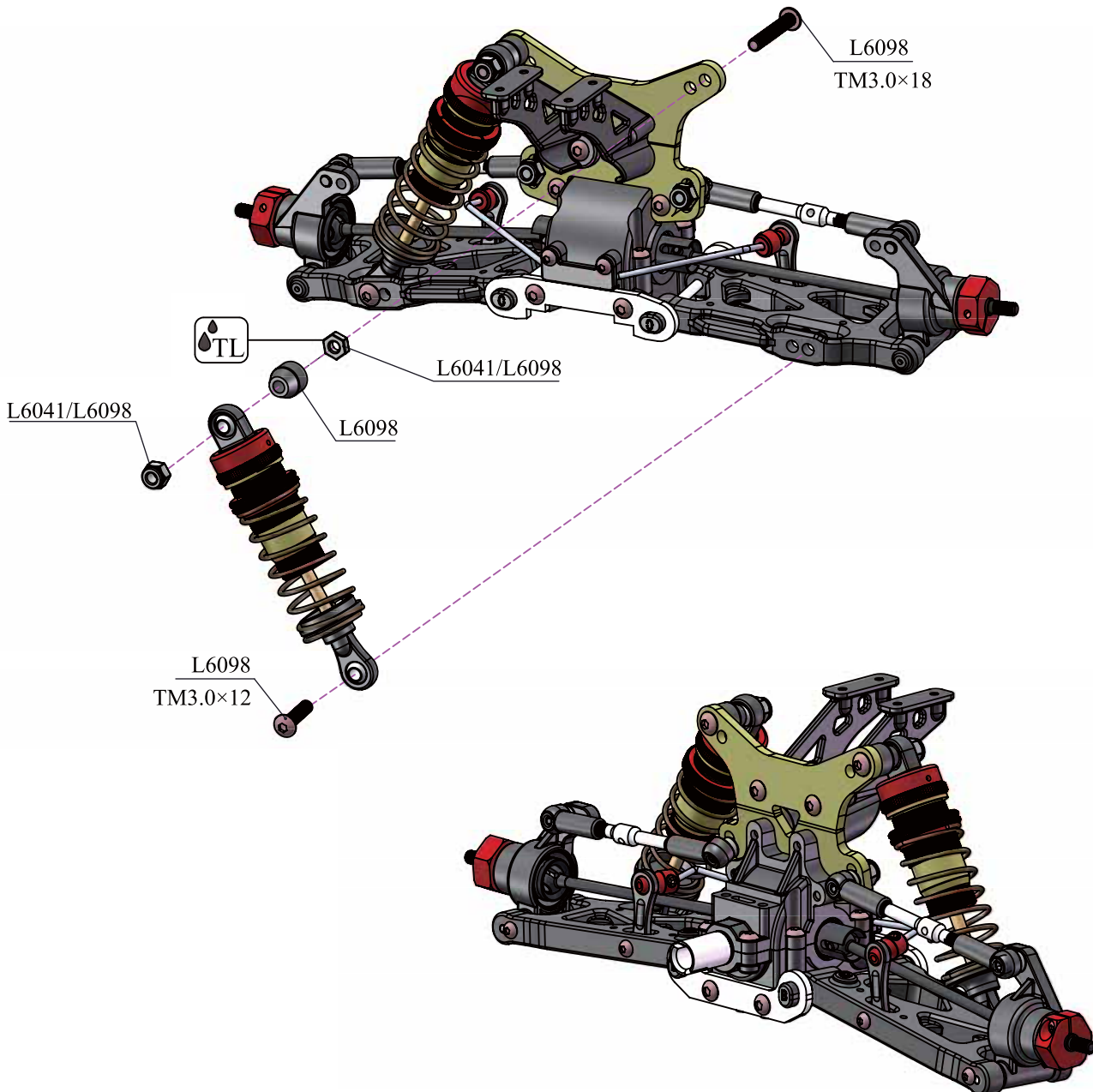
L6041/L6098
TM3.0×18mm



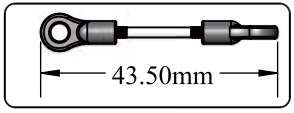
L6041/L6098
M3



L6041/L6098
M3

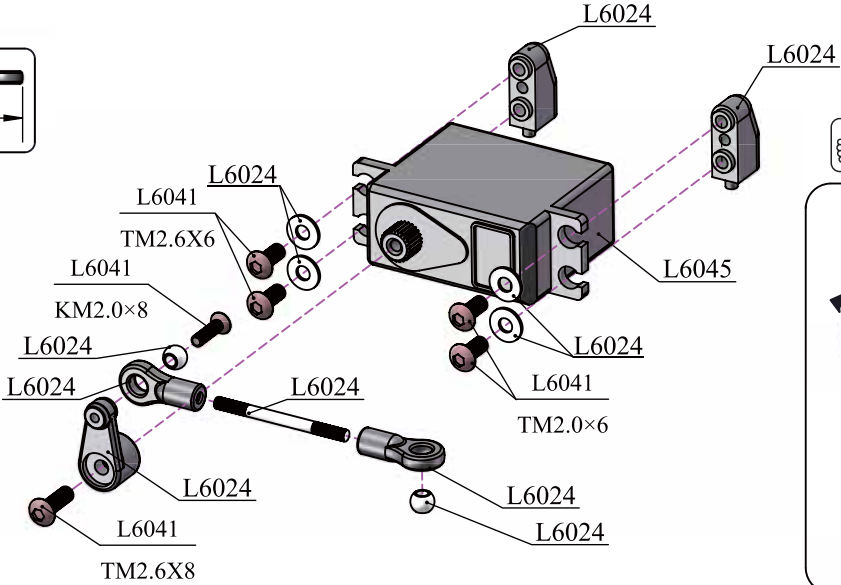


Bag E 1. STEERING



Option Parts

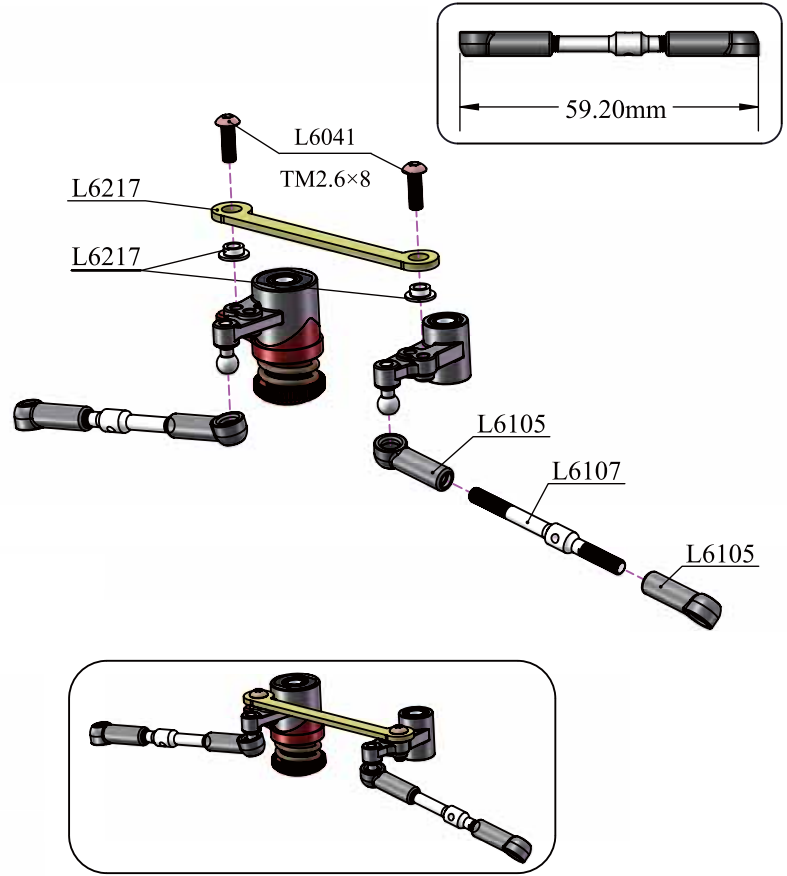
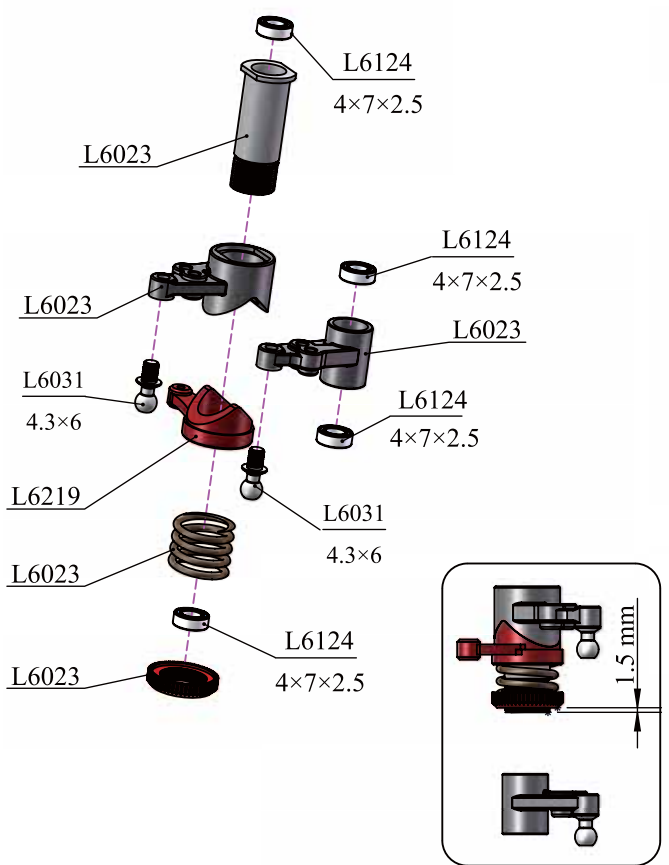
Aluminum Servo Arm (L6231)



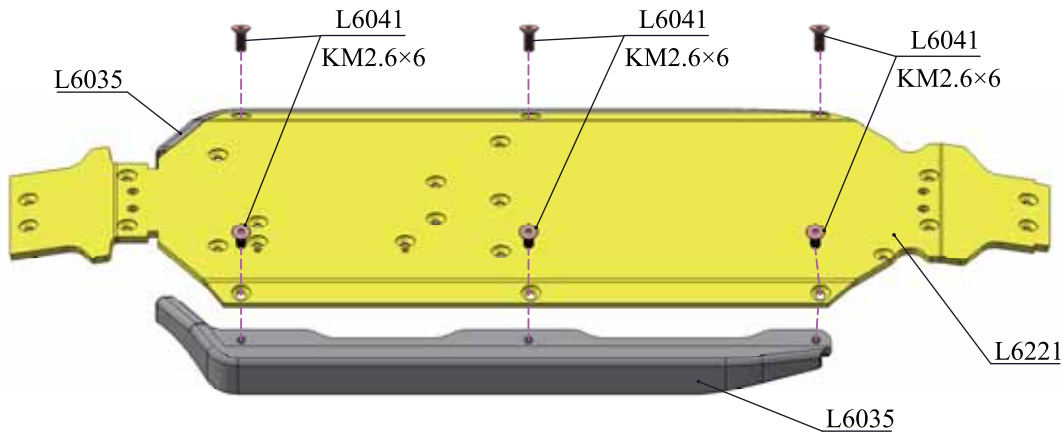
Option Parts

Floating Servo Mount (L6222)

L6041	L6024	L6024	L6041	L6041	L6031	L6124	L6041
KM2.0x8mm	SØ 4.0	2.6x6x0.5mm	TM2.6x8mm	TM2.6x6mm	SØ 4.3x6mm	4x7x2.5mm	TM2.6x8mm



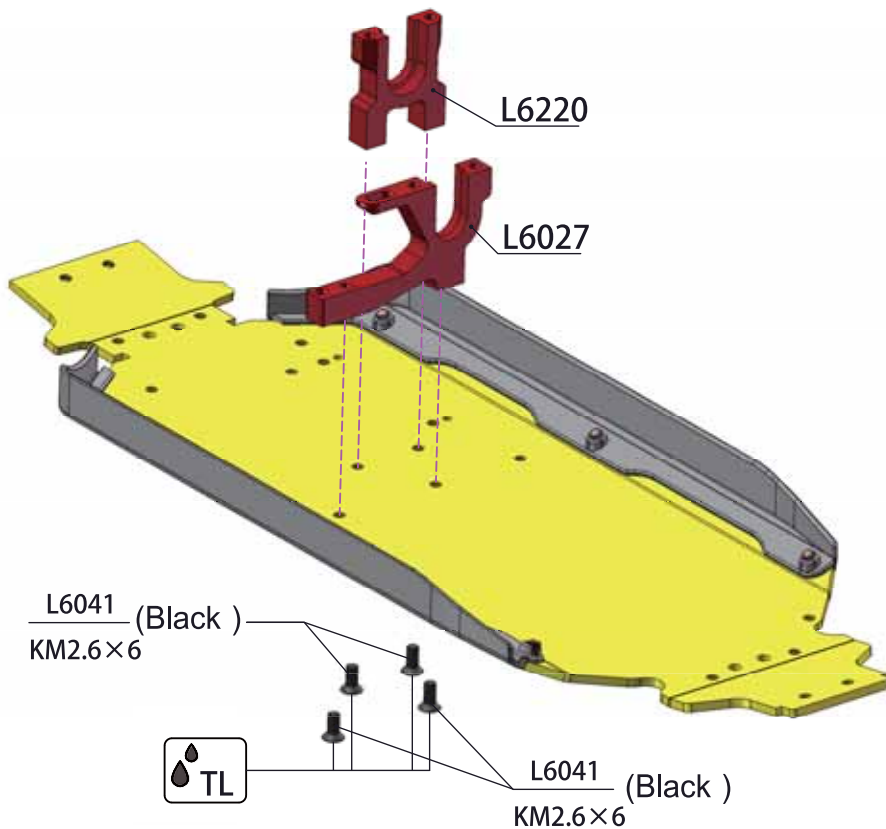
Bag F 1. CHASSIS



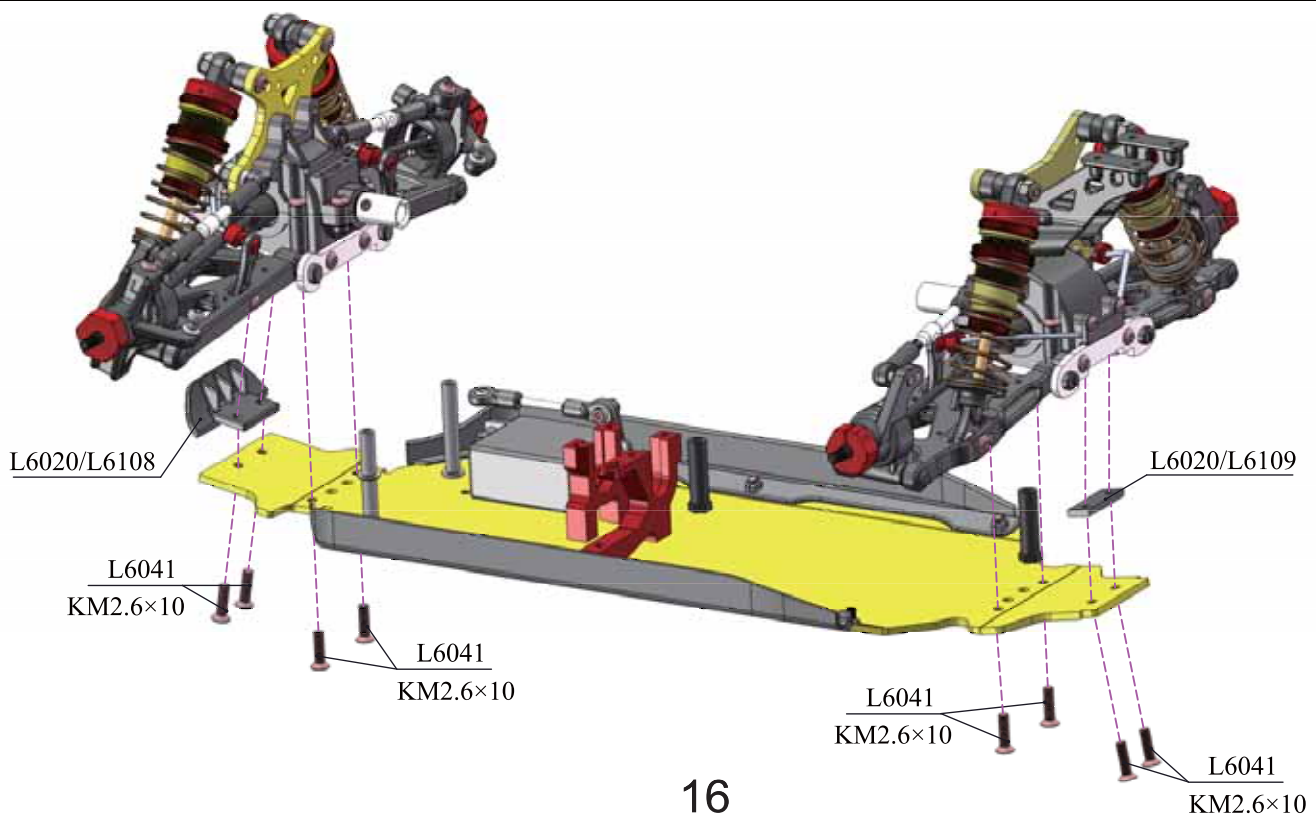
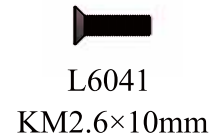
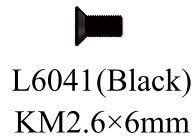
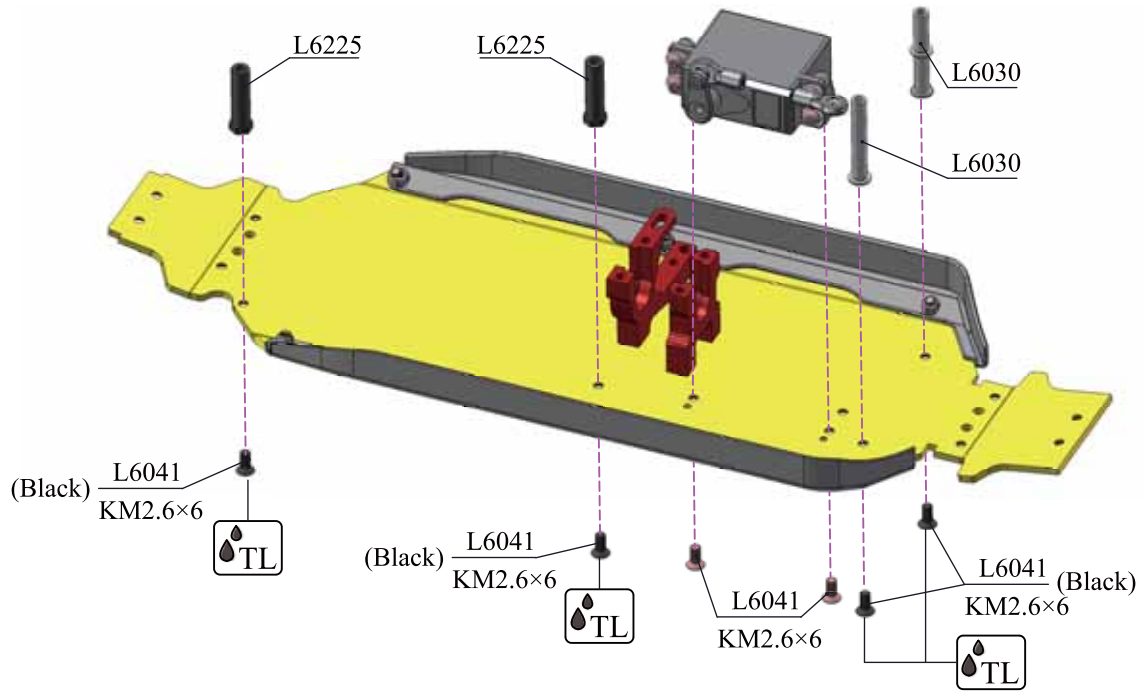
L6041
KM2.6x6mm



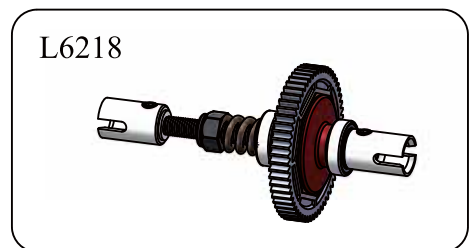
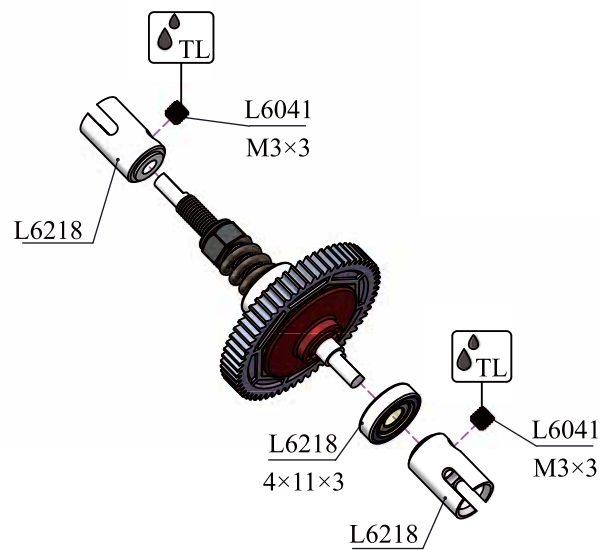
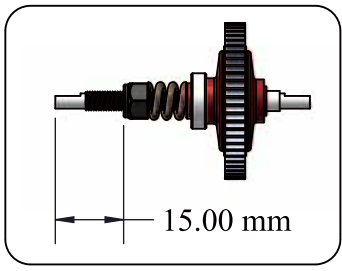
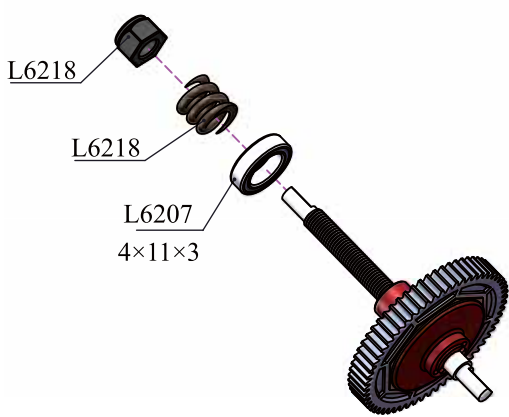
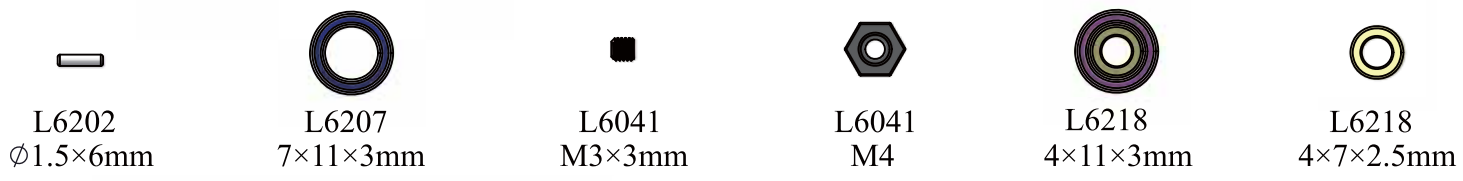
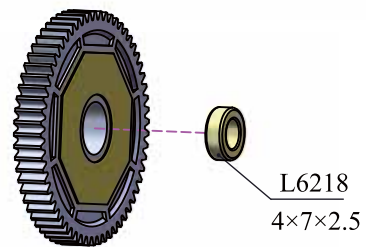
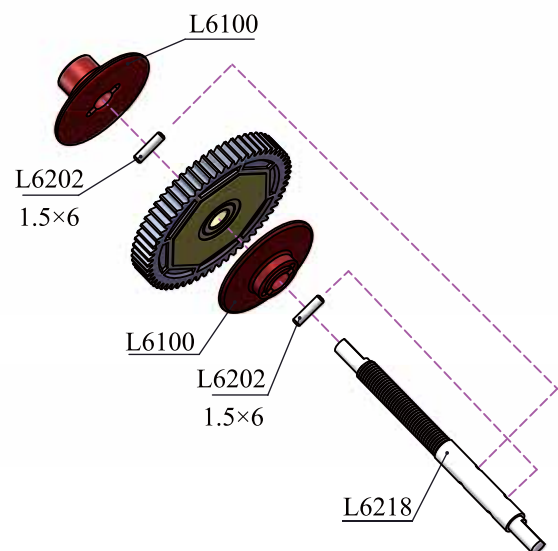
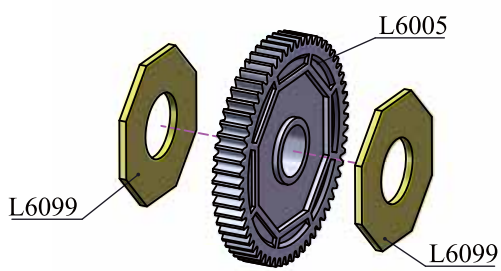
L6041(Black)
KM2.6x6mm



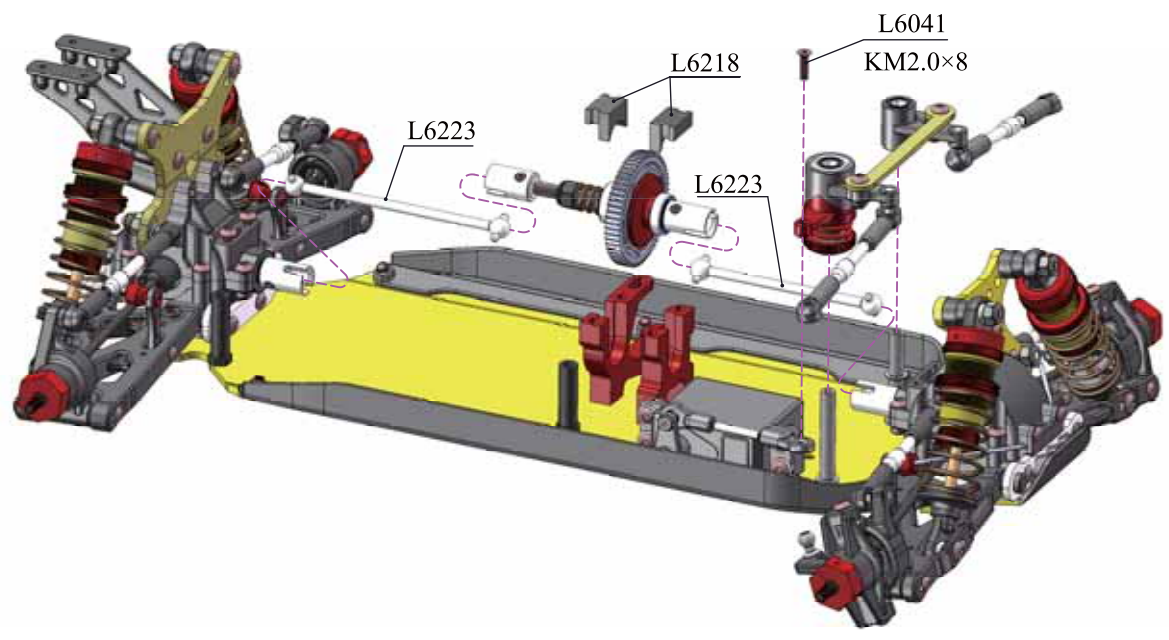
Bag F 2. CHASSIS




Bag F 3. SLIPPER CLUTCH ASSEMBLY




Bag F 4. FINAL ASSEMBLY

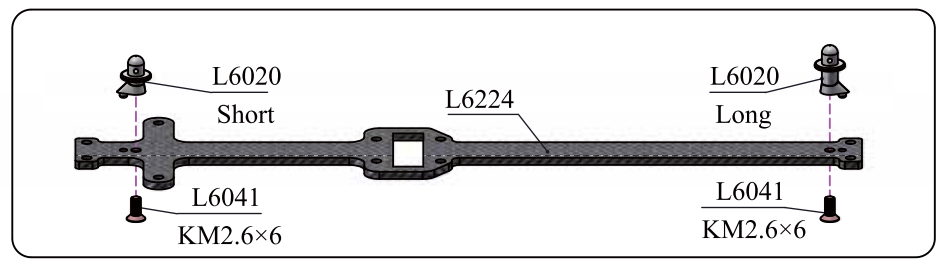



L6041
KM2.0x8mm


L6041
KM2.6x6mm


L6041
KM2.0x8mm


L6041
TM2.6x6mm

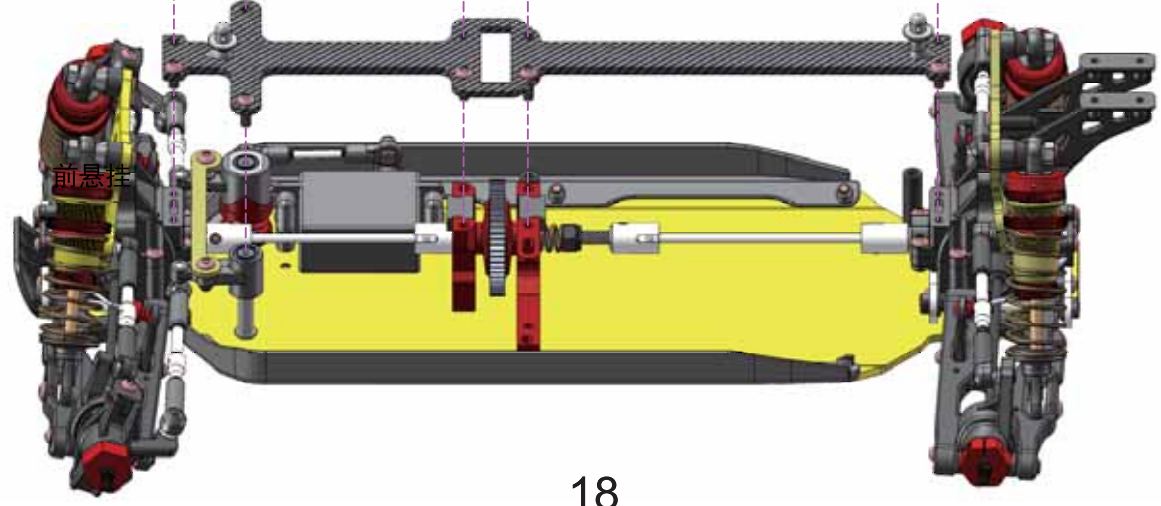


L6041
TM2.6x6

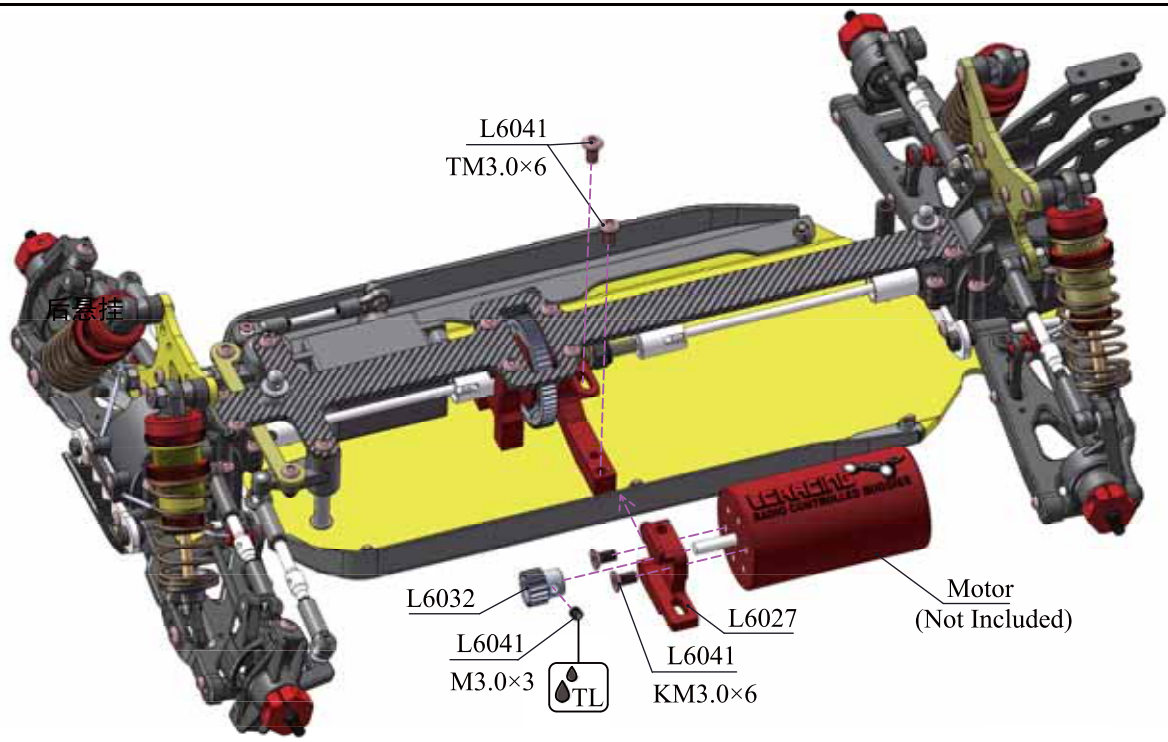
L6041
TM2.6x8

L6041
TM2.6x6

L6041
TM2.6x6




Bag F 5. FINAL ASSEMBLY

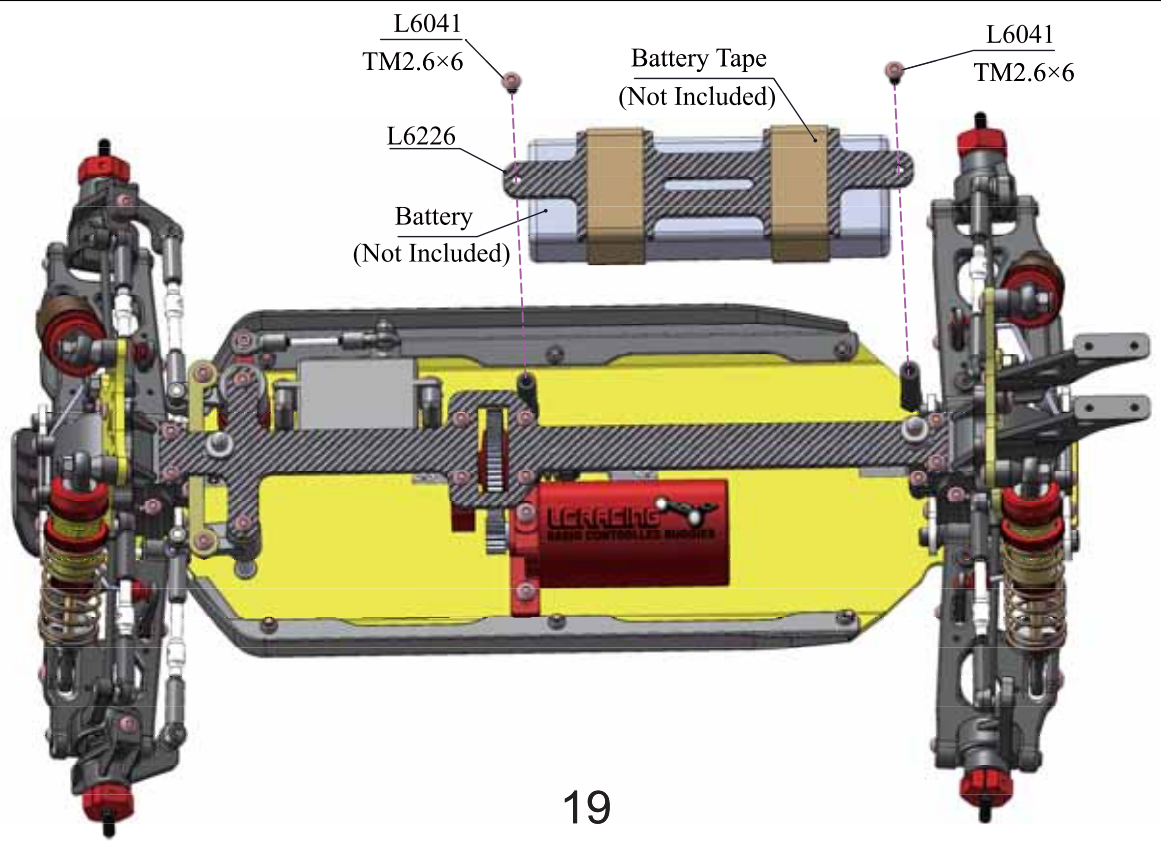



L6041
TM3.0x6mm


L6041
KM3.0x6mm

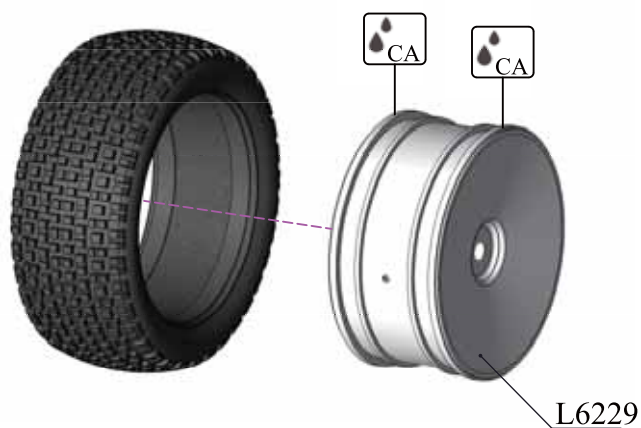
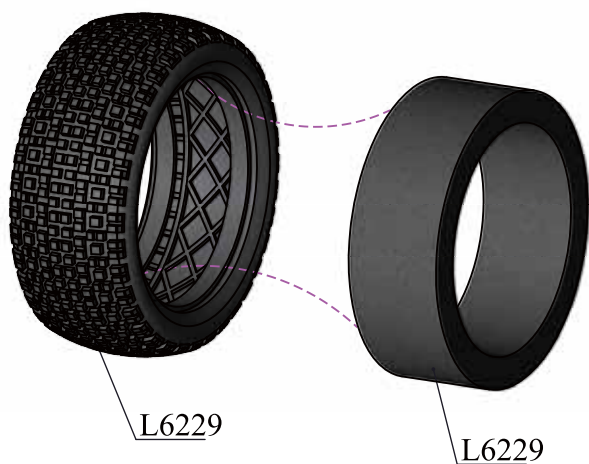

L6041
M3.0x3mm


L6041
TM2.6x6mm

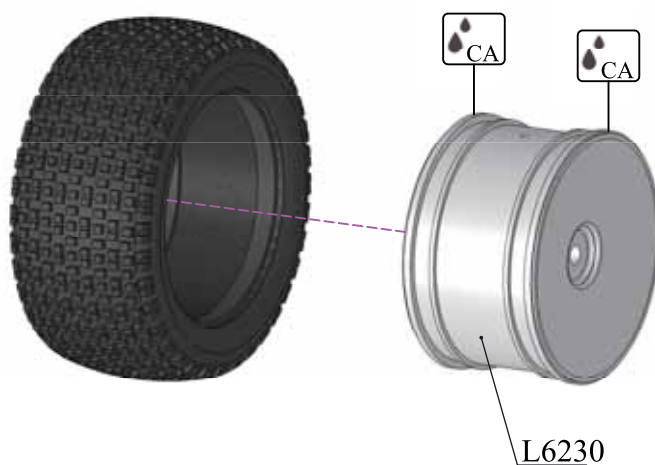
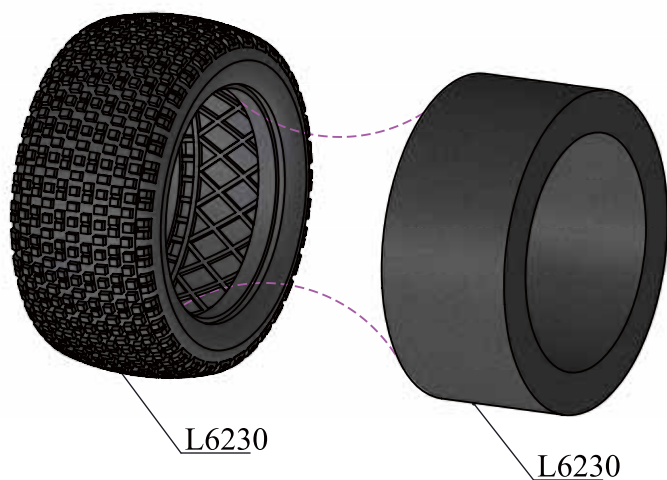


Bag F 6. TIRE ASSEMBLY

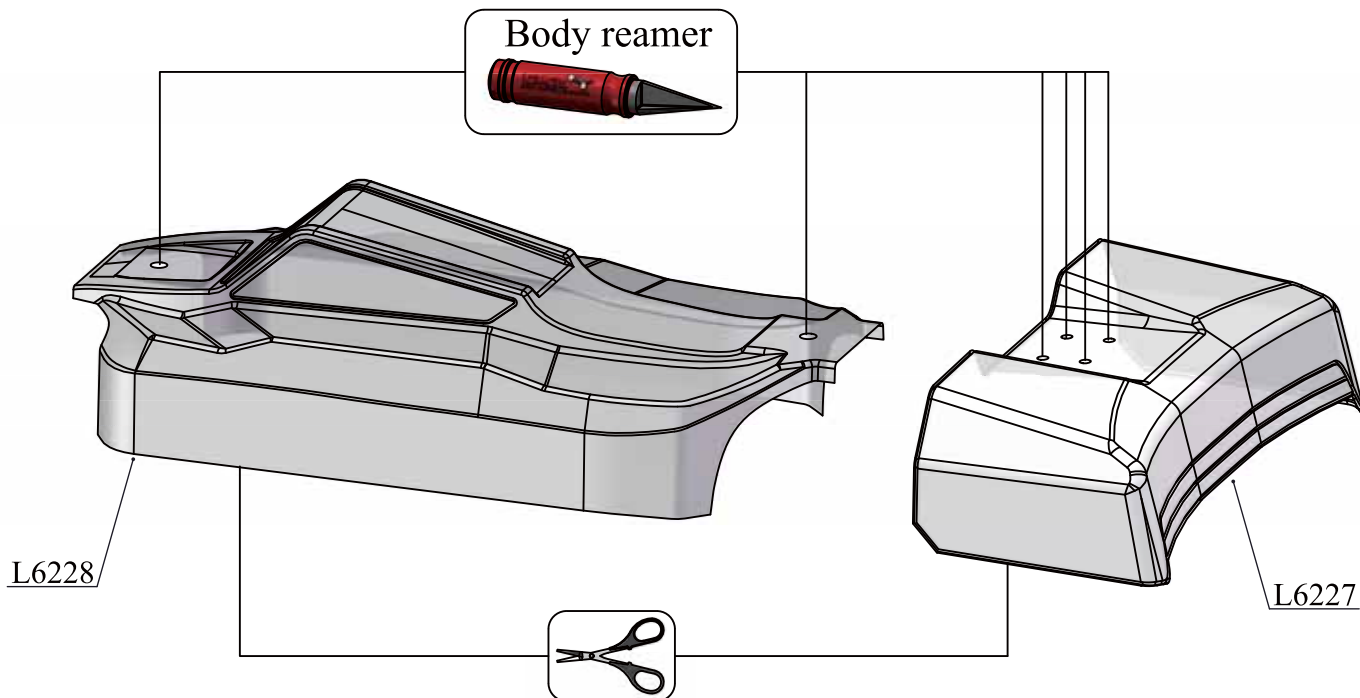
2× Front wheel (narrow)



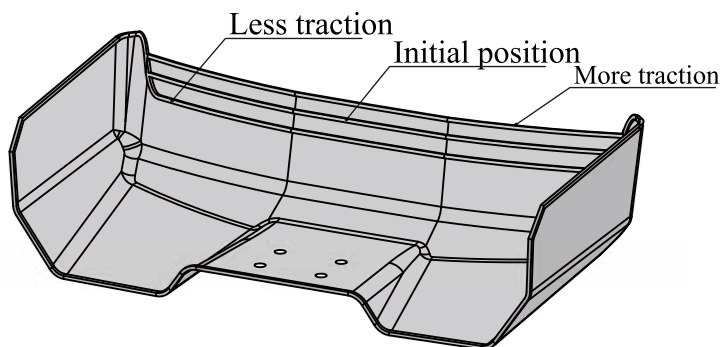
2× Rear wheel (wide)



Bag F 7. FINAL ASSEMBLY



Wing cutting options



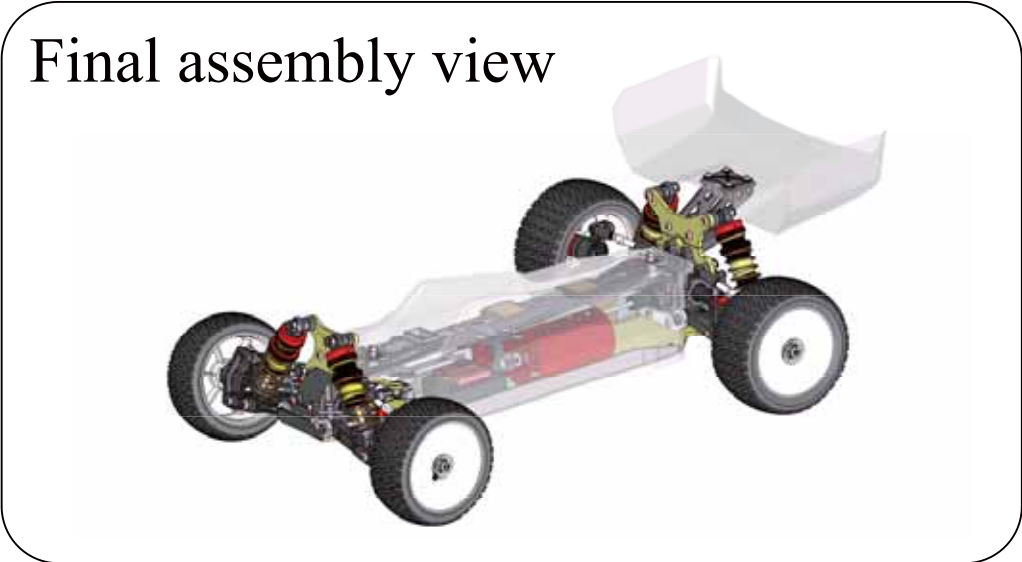
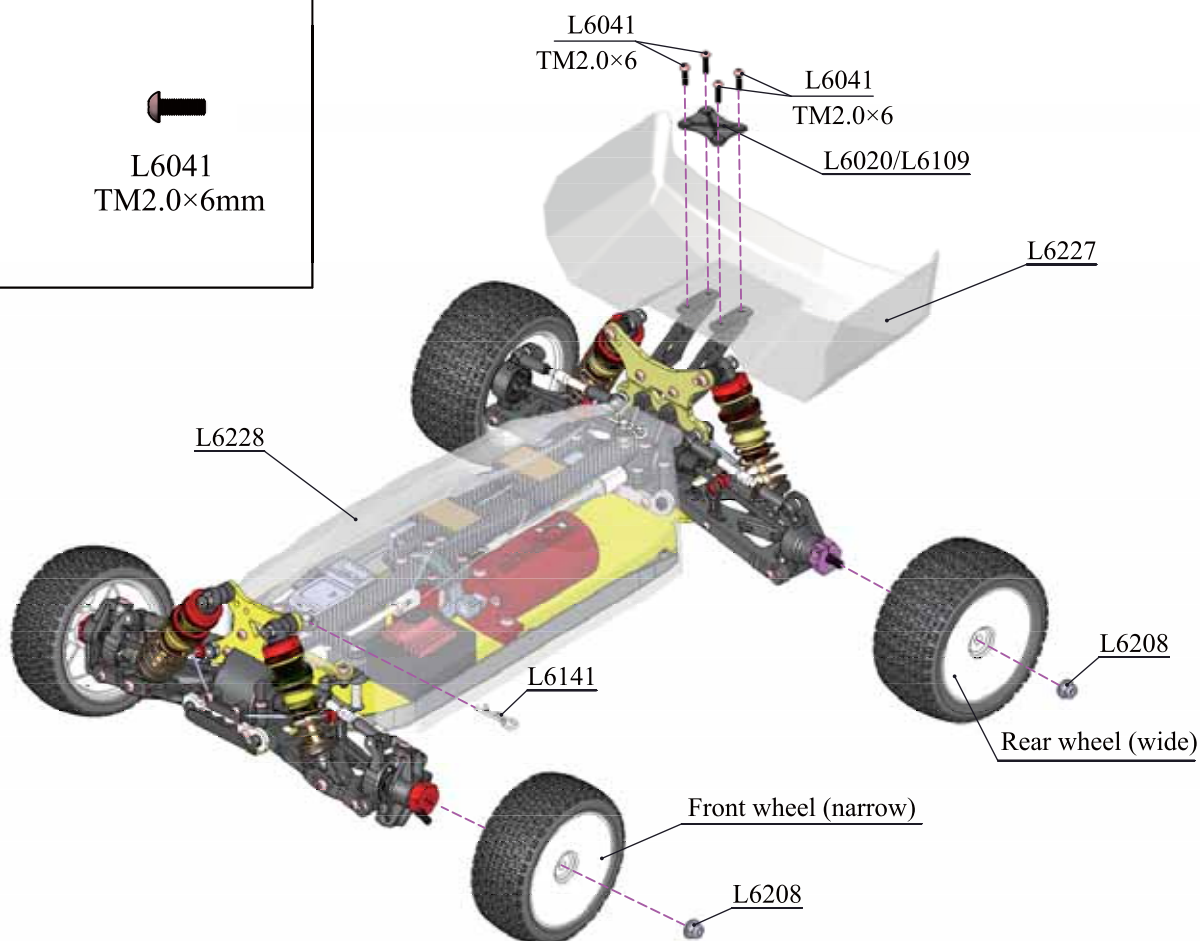
Bag F 8. FINAL ASSEMBLY



L6208
M3



L6041
TM2.0×6mm



LCRACING[®]

RADIO CONTROL BUGGY

NOTES

SMALL CAR BIG FUN

